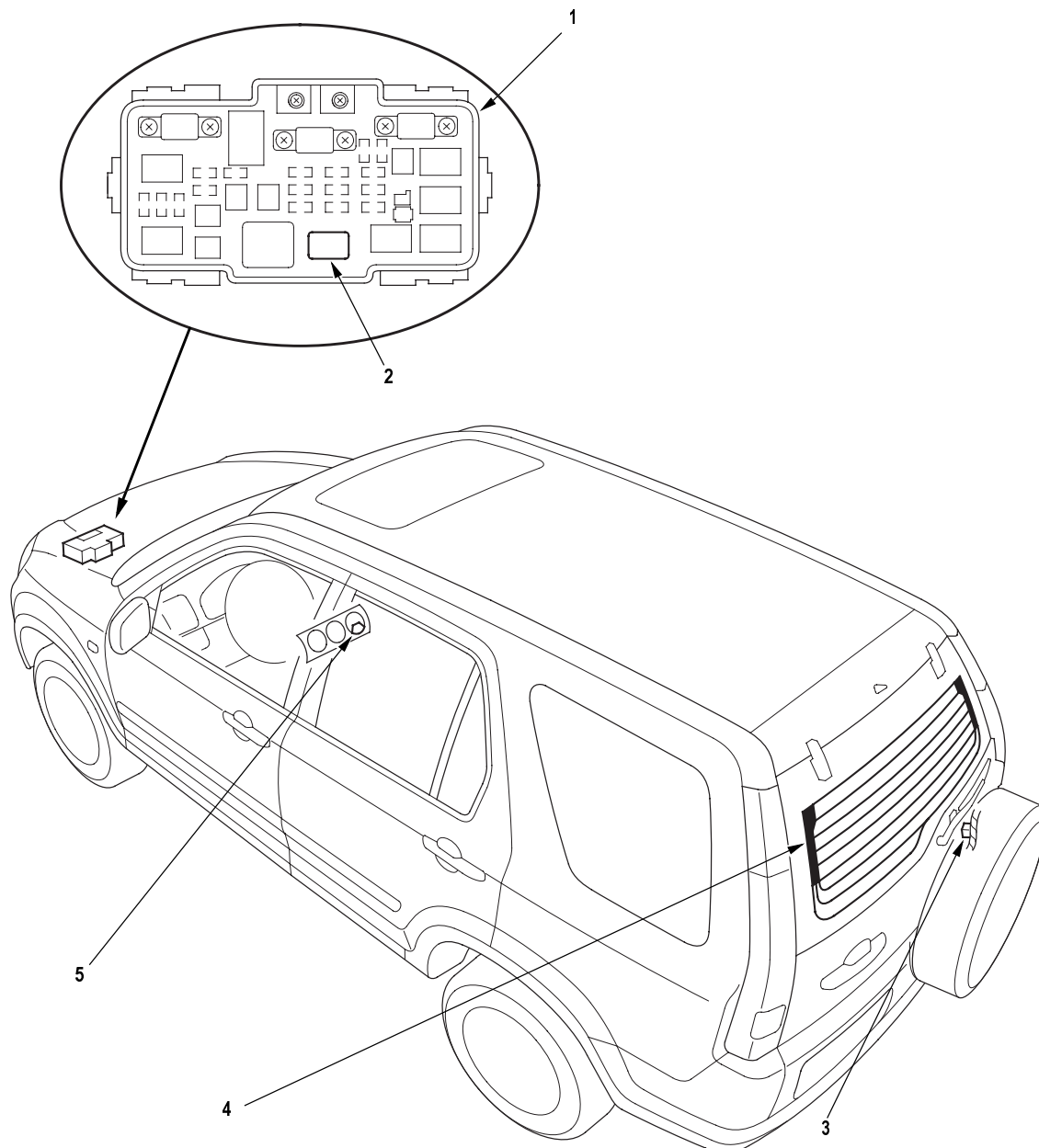


Rear Window Defogger

Component Location Index

NOTE: LHD type is shown, RHD type is similar.



- 1 UNDER-HOOD FUSE/RELAY BOX
- 2 REAR WINDOW DEFOGGER RELAY Test, [page 22A-60](#)
- 3 NOISE CONDENSER Capacity Test, [page 22A-125](#)
- 4 REAR WINDOW DEFOGGER Function Test, [page 22A-124](#); Defogger Wire Repair, [page 22A-124](#)
- 5 REAR WINDOW DEFOGGER SWITCH
built into the heater control panel or climate control unit